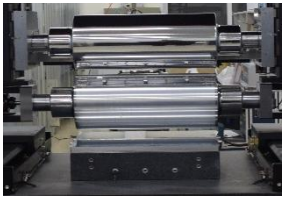
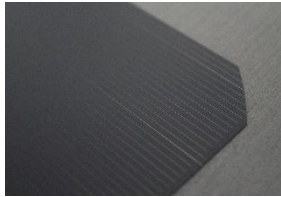


# RGP-500

## Roll to Plate Gravure Off-set Printer



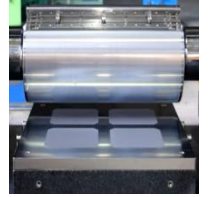
Gravure Off-set Printer



Printing sample



Application



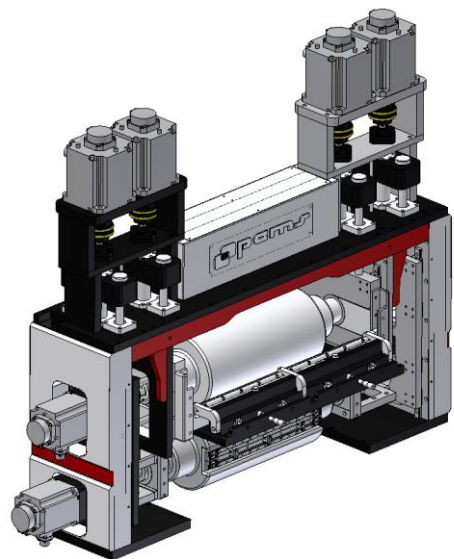
## Specifications

Pattern roll size	Ø250*520
Printing size	500*500
Pattern width	20um
Pattern depth	10um

## Technical Specifications

Printing speed	60sec/1cycle
Printing force	50Kg(L)+50Kg(R)=100Kg
Machine size	1200(L)*1800(W)*2400(H)
Machine weight	2000Kg
Power requirement	Three-phases 220V 40A

Other sizes available upon request



Please scan this QR code to learn more about the RGP-500.



KIMM Research 8, 171, Jang-dong, Yuseong-gu, Daejeon, 305-343, Korea  
Tel. +82.42.863.5118 Fax. +82.42.863.5117 E-mail. sales@pems-korea.com <http://www.pems-korea.com>

