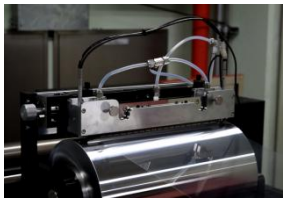
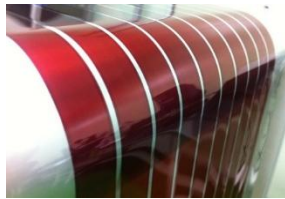


RSC-300

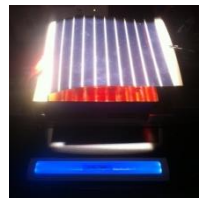
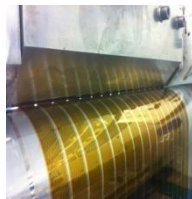
Roll to Roll Slot-die Coating



Slot-die Coater



Coating sample



Application

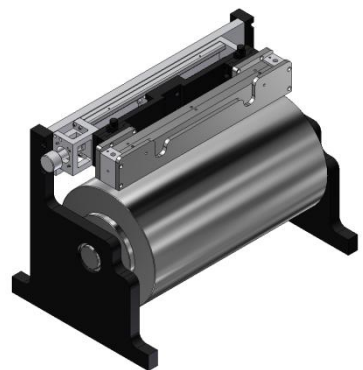
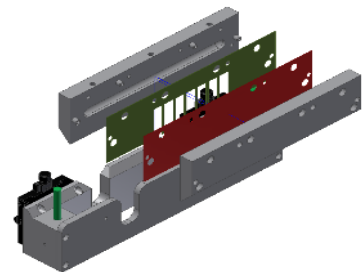
Specifications

Mask shim thickness	50~300micro
Slot-die width	Max.550mm / 22 inch
Coating width	Max.450mm / 18 inch
Mounting	Max.700mm / 28 inch
Slot-die	Stainless steel

Technical Specifications

Coating speed	0.5m/sec(700mm/s)
Dry length	16m
Machine size	3900(L)*1100(W)*1850(H)
Machine weight	3000Kg
Power requirement	Main: Single-phase 20A Dry: three-phase 220V 40A

Other sizes available upon request



Please scan this QR code to learn more about the RSC-300.



KIMM Research 8, 171, Jang-dong, Yuseong-gu, Daejeon, 305-343, Korea
Tel. +82.42.863.5118 Fax. +82.42.863.5117 E-mail. sales@pems-korea.com <http://www.pems-korea.com>