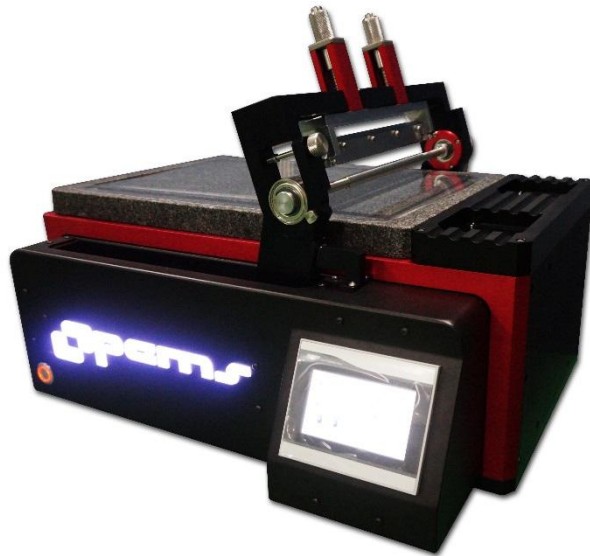
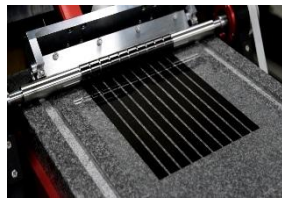


PBC-200

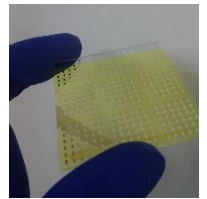
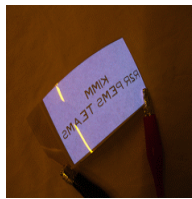
Plate Bar Coater



Bar Coater



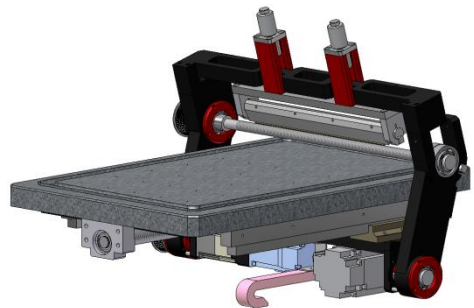
Coating sample



Application

Specifications

Bar diameter	Ø12.7 / Ø19.05
Bar length	400mm
Coating width	~240mm
Coating thickness	1.5~200um (spec)



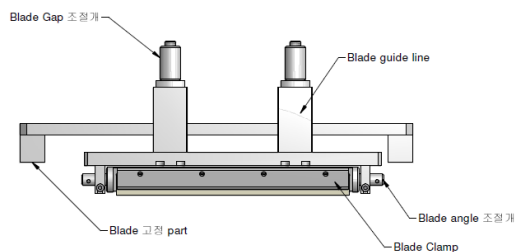
Technical Specifications

Coating speed	200mm/sec (max)
Bar rotation speed	200rpm (max)
Machine size	600(L)*540(W)*450(H)
Machine weight	60Kg
Power requirement	Single-phase 220V 6A

Other sizes available upon request



Please scan this QR code to learn more about the PBC-200.



KIMM Research 8, 171, Jang-dong, Yuseong-gu, Daejeon, 305-343, Korea
 Tel. +82.42.863.5118 Fax. +82.42.863.5117 E-mail. sales@pems-korea.com http://www.pems-korea.com